

QuOmni for Robustel R3000 LoRa

**INTEGRATED MULTI-BAND LTE OMNI ANTENNA + LORA OMNI ANTENNA + GPS
+ PLACE TO INSTALL ROBUSTEL R3000 (ALL-IN-ONE)**

QuOmni LTE & LoRa antenna for Robustel R3000 router is a perfect outdoor device for mobile and fixed industrial installations.

It has embedded also omni GPS antenna. If you use R3000 with QuOmni antenna, you get an integrated complete solution with embedded router and multi band antennas in one enclosure.

Optional external connectors: USB, DC Power Socket, RS232/485, SIM Adapter and more.



OUTDOOR

Use Robustel router wherever you want

ANTENNA

Maximize your signal with QuWireless antennas

SOLUTION

Plug Robustel router and you are good to go

LTE SPECIFICATION

FREQUENCY	0.694 - 0.96 GHz 1.7 - 2.2 GHz 2.5 - 2.7 GHz
GAIN	0.694 - 0.96 GHz: 4 dBi 1.7 - 2.2 GHz: 5 dBi 2.5 - 2.7 GHz: 6 dBi
Supported LTE/5G bands	1, 2, 3, 4, 5, 6, 7, 8, 9, 10, 12, 13, 14, 17, 18, 19, 20, 23, 25, 26, 27, 28, 29, 33, 34, 35, 36, 37, 38, 39, 44, 59, 62, 65, 66, 67, 68, 69, 85, n80, n81, n82, n83, n84, n86, n89, n95
VSWR	<1.50, max <2.50
BEAMWIDTH	360°/25° ±5°
POLARIZATION	Vertical
IMPEDANCE	50 Ω

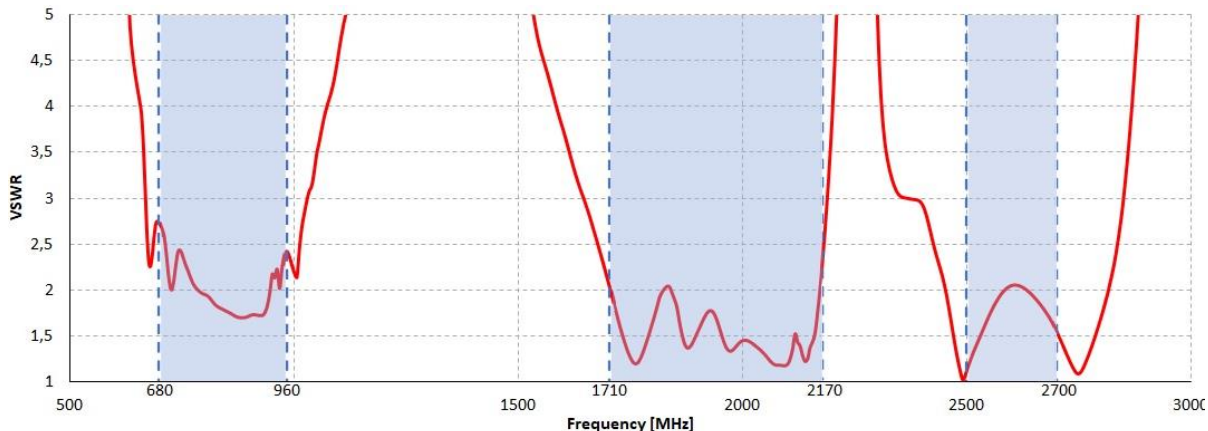
LORA SPECIFICATION

FREQUENCY	0.694 - 0.96 GHz
GAIN	0.694 - 0.96 GHz: 4 dBi
Supported LTE/5G bands	5, 6, 8, 12, 13, 14, 17, 18, 19, 20, 26, 27, 28, 29, 44, 67, 68, 85, n81, n82, n83, n89
VSWR	<1.50, max <2.50
BEAMWIDTH	360°/25° ±5°
POLARIZATION	Vertical
IMPEDANCE	50 Ω

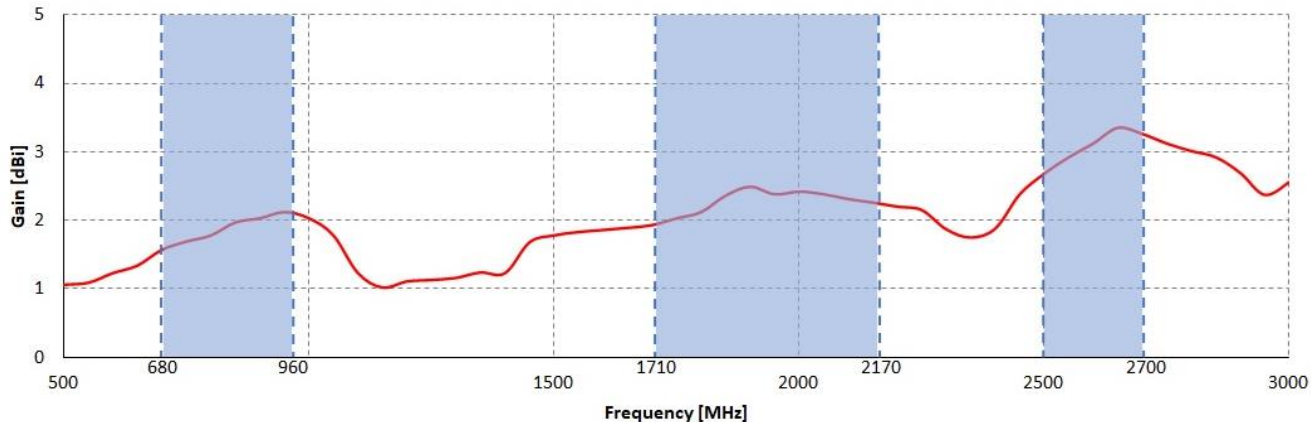
MECHANICAL SPECIFICATION

MATERIALS	ABS, aluminum, PTFE, Fiberglass
INGRESS PROTECTION	IP67
CONNECTOR TYPE	RJ45
DIMENSIONS	269.8 x 269.8 x 76.9 mm 10.62 x 10.62 x 3.03 inch
WEIGHT	1.8 kg 3.97 lbs
OPERATING TEMPERATURE	From -25°C to 70°C From -13°F to 158°F

VSWR for LTE antenna

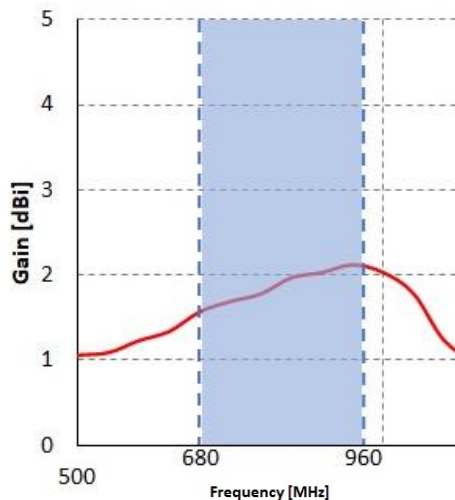
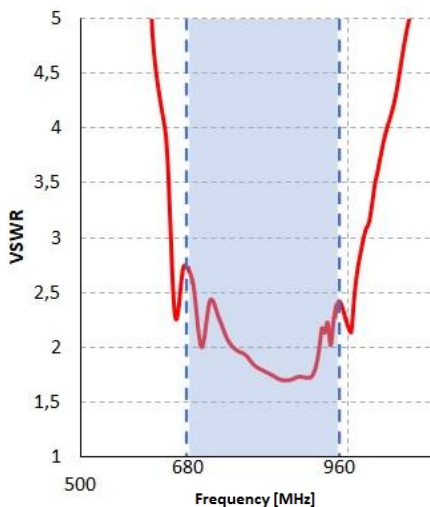


GAIN for LTE antenna



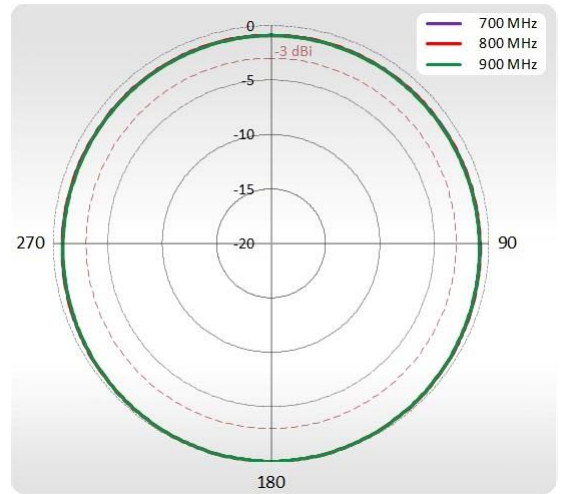
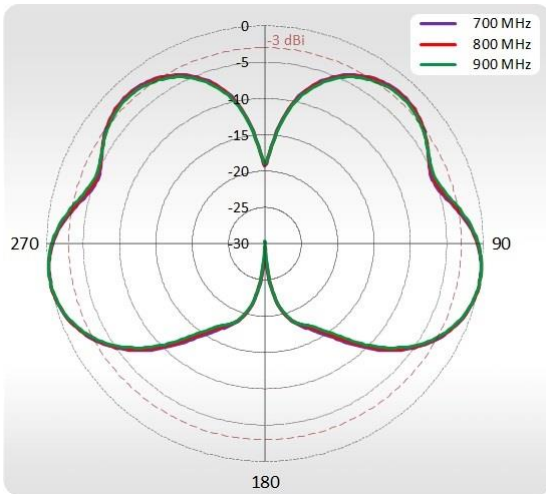
VSWR for LoRa antenna

GAIN for LoRa antenna



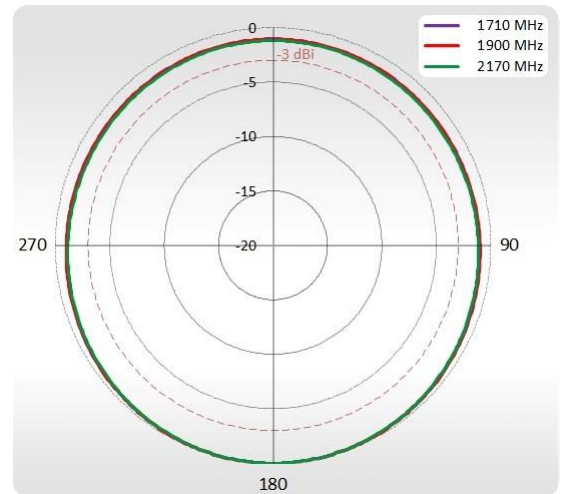
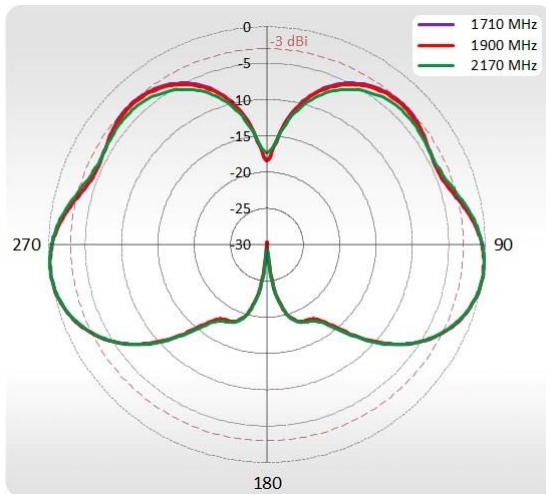
700-900 MHz Elevation

700-900 MHz Azimuth



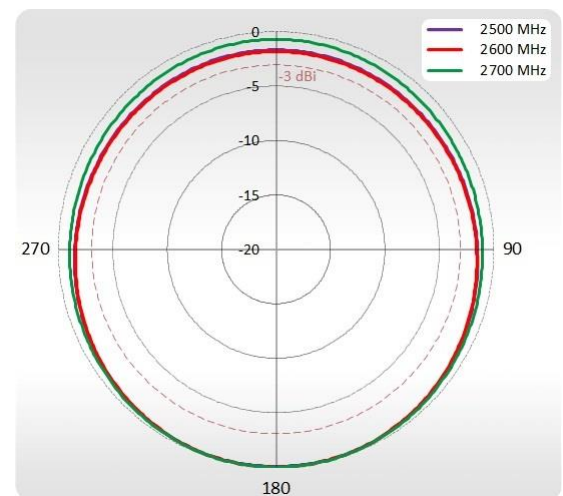
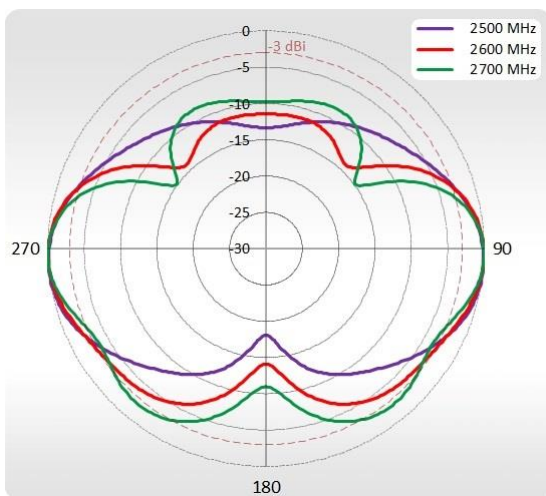
1710-2170 MHz Elevation

1710-2170 MHz Azimuth



2500-2700 MHz Elevation

2500-2700 MHz Azimuth



DEVICE SPECIFICATION

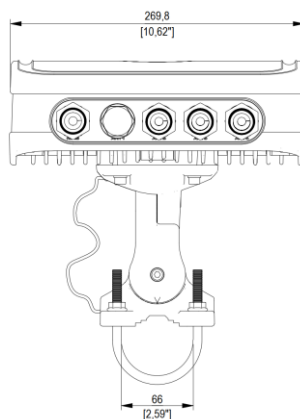
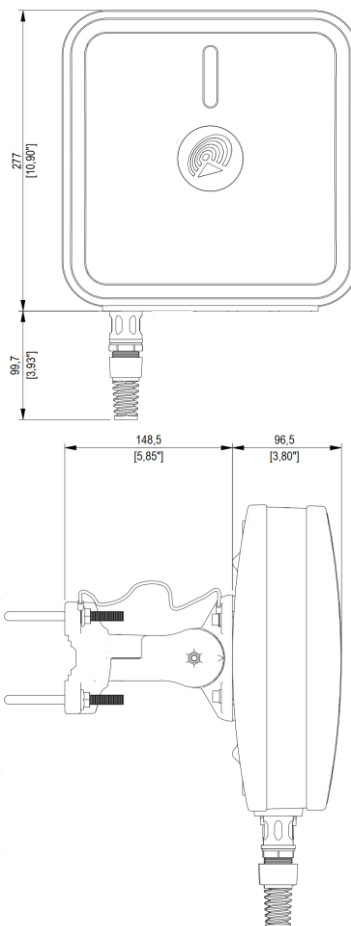
DIMENSIONS

Robustel R3000 LG LoRaWAN



Industrial LoRaWAN Gateway.
It allows access to various types of LoRa application nodes, and supports wired Ethernet and wireless 4G/3G/2G access to the cloud platform.

[R3000 LG LoRaWAN Datasheet & User Guide](#)



solsta.co.uk | sales@solsta.co.uk | +44 (0)1527 830800

Solid State Supplies Ltd, Ravensbank Business Park, 2 Hedera Road, Redditch B98 9EY